



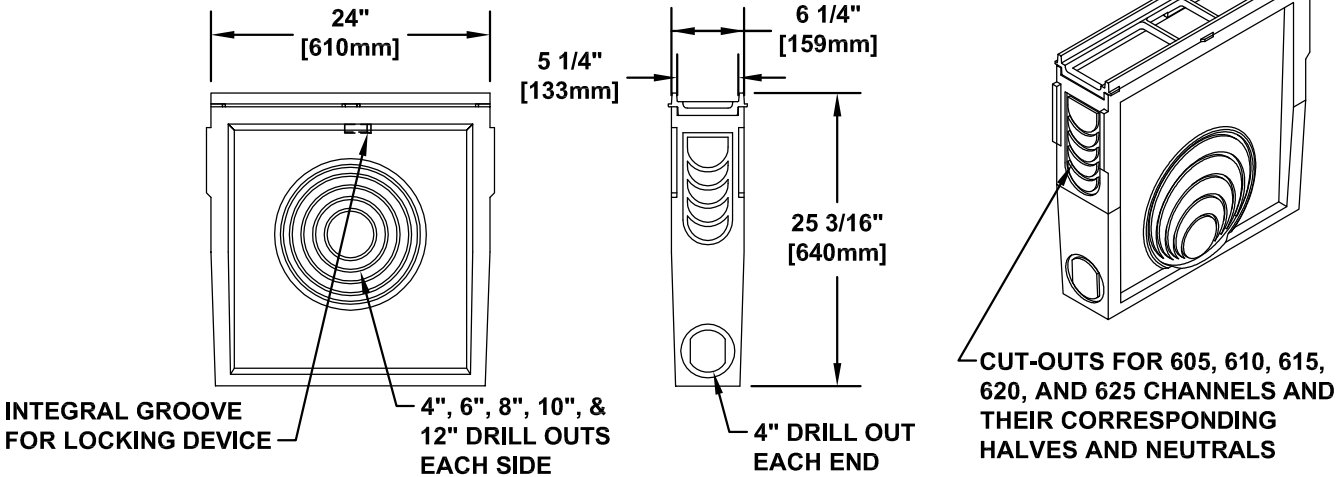
PROJECT ID/
CONTRACT NO: _____

750 Catch Basin

LOCATION: _____

ENGINEERING SPECIFICATION:

POLYCAST® Catch Basins are designed to be used as collection points, drain run transitions and interceptors to collect solid debris. Catch Basins are designed to accommodate all drain channel sizes and have cut-outs designed specifically for channels with catalog numbers ending in 5, 0, N, and H.



Grate Options (Select One)		
Frame/Grate Type	Part No.	DIN Load Class
<input checked="" type="checkbox"/> DURAGUARD® Composite Frame w/Ductile Iron Slotted	DG0700PE w/DG0641D	Class E
<input type="checkbox"/> DURAGUARD® Composite Frame w/Cast Iron Solid	DG0700PE w/DG0641S	Class E
<input type="checkbox"/> DURAGUARD® Composite Frame w/Ductile Iron Longitudinal Slotted	DG0700PE w/DG0675HD	Class E
<input type="checkbox"/> HARDNOSE Iron Frame w/Ductile Iron Slotted	DG0700AA w/DG0641D	Class E
<input type="checkbox"/> HARDNOSE Iron Frame w/Ductile Iron Longitudinal Slotted	DG0700AA w/DG0675HD	Class E
<input type="checkbox"/> HARDNOSE Iron Frame w/Cast Iron Solid	DG0700AA w/DG0641S	Class F
Options (Select All That Apply)	Part No.	Additional Specifications:
<input type="checkbox"/> Vinyl Ester Concrete Channels	DV0750	
<input type="checkbox"/> Locking Device For Cast & Ductile Iron Frames & Grates	DA0642BH	
<input type="checkbox"/> HDPE Corrugated Plastic Debris Basket	DA0750TA	

Meets the following Standards & Specifications:

- DIN 19580 / DIN EN 1433 Drainage Channels for Vehicular and Pedestrian Areas
- AASHTO H-20 and H-25 per AASHTO M-306 Drainage, Sewer, Utility and Related Castings
- Federal Aviation Administration (FAA) Advisory Circular AC 150/5320-6E Appendix 3. Design of Structures for Heavy Airplanes
- ASTM Standard D543, Test Method for Resistance of Plastics to Chemical Reagents
- ASTM Standard D570, Test Method for Water Absorption of Plastic
- ASTM Standard D576, Practice for Determination of Weight and Shape Change of Plastics Under Accelerated Service Conditions
- ASTM Standard G53, Recommended Practice for Operating Light and Water Exposure Apparatus for Exposure of Non-Metallic Materials
- ASTM Standard C78, Test Method for Flexural Strength of Concrete
- ASTM Standard C579, Test Method for Compressive Strength of Chemical Resistant Mortars and Monolithic Surfacing's

Supplied By:



877-903-7246

www.trenchdrainsupply.com



www.polycastdrain.com
Toll Free Number:
1-800-346-3062

PC-26
9/7/11